

1

Memshield distribution boards

Specifications



Distribution boards type A and type B, technical overview

	Type A	Type B
IP Rating	IP3X	IP4X
Enclosure body type	Rust protected sheet steel. Welded case end construction with cable gland plate fitted	Rust protected sheet steel. Welded case end construction with cable gland plate fitted
Paint specification	RAL 7004 epoxy polyester	RAL 7004 epoxy polyester
Conditional short circuit rating	25kA to BS EN 60439	15kA to BS EN 60439
Cable capacities		
125A switch disconnecter	50mm ²	50mm ²
100A RCCB (type A = 90A)	35mm ²	50mm ²
250A switch disconnecter	-	120mm ² (+lugs)
160A - 250A MCCB incomer	-	250A = 120mm ² (+lugs)
100A direct connection kit	35mm ²	-
250A direct connection lugs	-	120mm ² (+lugs)
Enclosure earth stud	M6	M8
Incoming earth terminal	25mm ²	125A = 25mm ² , 250A = 70mm ²
Incoming neutral terminal	90/100A = 35mm ² , 125A = 50mm ²	125A = 50mm ² , 250A = 120mm ² (+lugs)
Outgoing earth terminal	25mm ²	25mm ²
Outgoing neutral terminal	25mm ²	25mm ²
Enclosure thickness	1.5mm	1.5mm

1.1

Memshield 3 MCB distribution boards and enclosures

Type A, SPN distribution boards

Incoming devices



125A SPN, type A distribution boards

- When more than 16 SP ways are required, see our TPN board ranges, complete with single phase kit options
- IP3X

Description	Rating (A)	Total no. of outgoing ways	Eaton list number	Article number
4 way SPN, type A distribution board	125	4	EAM4TP	158493
7 way SPN, type A distribution board	125	7	EAM7TP	158494
10 way SPN, type A distribution board	125	10	EAM10TP	158495
13 way SPN, type A distribution board	125	13	EAM13TP	158496
16 way SPN, type A distribution board	125	16	EAM16TP	158497



Incoming devices for SPN, type A distribution boards

- Incoming devices supplied separate to distribution board

Description	Rating (A)	Poles	Sensitivity (mA)	Eaton list number	Article number
Switch-disconnector	100/125	SPSN	-	EAMS125INX	168661
RCCB incoming device for SPN, type A distribution board	125	1P+N	30	EAMS100HEX	168662
RCCB incoming device for SPN, type A distribution board	125	1P+N	100	EAMS100MEX	168663
RCCB incoming device for SPN, type A distribution board	125	1P+N	300	EAMS100LEX	168664
Direct connection kit for SPN, type A distribution board	125	1P+N	-	EAMBT1002X	168665
Isolator 40A	40	2	-	IS-40/2	276271
Isolator 63A	63	2	-	IS-63/2	276275
Isolator 80A	80	2	-	IS-80/2	276279
Isolator 100A	100	2	-	IS-100/2	276283
Isolator 125A	125	2	-	IS-125/2	276287



General accessories, SPN, type A distribution boards

Description	Eaton list number	Article number
MCB blanking module – 18mm	EMBP	156472

Outgoing devices



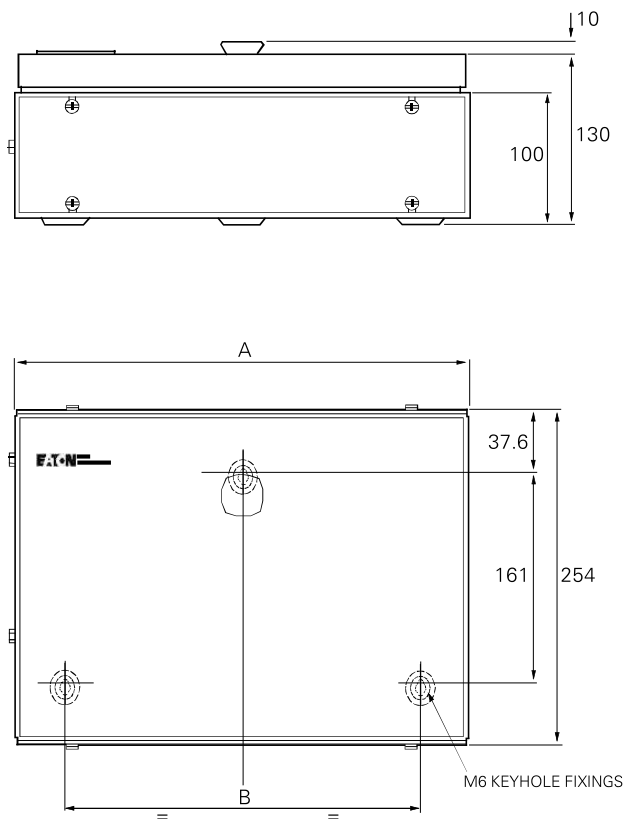
A. Miniature Circuit Breakers

Rated current In (A)	Type designation mMCM/ 10KA, characteristic C	Article no.
1-pole		
1	mMCM-C1/1	138872
2	mMCM-C2/1	138873
3	mMCM-C3/1	138874
4	mMCM-C4/1	138875
5	mMCM-C5/1	170065
6	mMCM-C6/1	138876
8	mMCM-C8/1	170066
10	mMCM-C10/1	138877
12	mMCM-C12/1	170067
13	mMCM-C13/1	138878
15	mMCM-C15/1	170068
16	mMCM-C16/1	138879
20	mMCM-C20/1	138880
25	mMCM-C25/1	138881
32	mMCM-C32/1	138882
40	mMCM-C40/1	138883
50	mMCM-C50/1	138884
63	mMCM-C63/1	138885



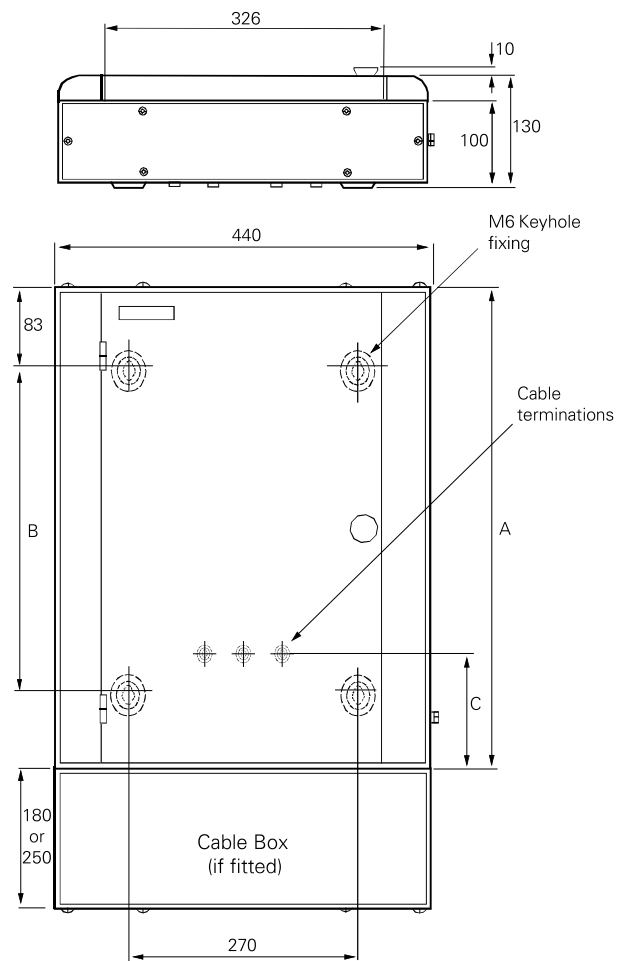
3-pole		
1	mMCM-C1/3	139112
2	mMCM-C2/3	139113
3	mMCM-C3/3	139114
4	mMCM-C4/3	139115
5	mMCM-C5/3	170077
6	mMCM-C6/3	139116
8	mMCM-C8/3	170078
10	mMCM-C10/3	139117
12	mMCM-C12/3	170079
13	mMCM-C13/3	139118
15	mMCM-C15/3	170080
16	mMCM-C16/3	139119
20	mMCM-C20/3	139120
25	mMCM-C25/3	139121
32	mMCM-C32/3	139122
40	mMCM-C40/3	139123
50	mMCM-C50/3	139124
63	mMCM-C63/3	139125

Memshield 3 type A SPN Distribution Board and Modular Enclosure dimensional drawing



List number	A (mm)	B (mm)
EAM4TP, EBMXDC6	238	163
EAMMP65	238	163
EAM7TP, EBMXDC9	292	217
EAM10TP	346	271
EBMXDC15, EBMXDCG15	440	365
EAM16TP, EBMXDC18	454	379

Memshield 3 type B TPN Distribution Board, dimensional drawing



List number	A (mm)	B (mm)
EBM41TP	429	245
EBM61TP	482	298
EBM81TP, EBMXDC30	564	380
EBM121, EBMXDC45	724	540
EBM161TP	830	540
EBM182TP	1021	837
EBM242TP	1180	996

250A high load boards¹⁾

List number	A (mm)	B (mm)
EBM22HTP	817	633
EBM62HTP	1020	836
EBM82HTP	1055	871
EBM122HTP	1180	996
EBM182HTP	1342	1158
EBM242HTP	1501	1317

1) Cable box not required