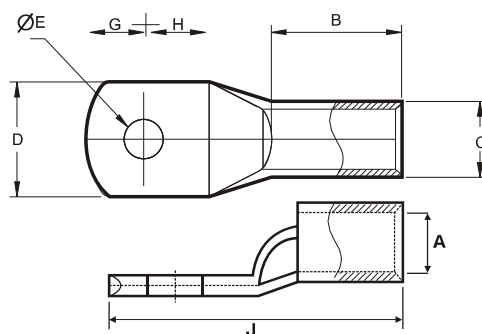


CRIMPING TYPE COPPER TUBULAR CABLE TERMINAL ENDS

MATERIAL : E - COPPER • FINISH : ELECTRO TINNED

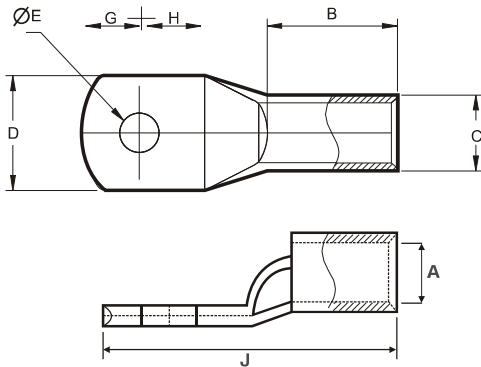
Cable mm ²	Stud Hole E	Dimensions							Product Code
		A	C	D	G	H	B	J	
1.5	4.2	1.8	3.7	8	4	5	6	17	HT 1.5 - 4
	5.2	1.8	3.7	8	4	5	6	17	HT 1.5 - 5
	6.5	1.8	3.7	10	4	6	6	18	HT 1.5 - 6
2.5	4.2	2.4	4	8	4	5	8	19	HT 2.5 - 4
	5.2	2.4	4	8	4	5	8	19	HT 2.5 - 5
	6.5	2.4	4	10	5	6	8	21	HT 2.5 - 6
	8.4	2.4	4.2	12	6	9	8	26	HT 2.5 - 8
4	4.2	3.1	4.8	10	5	6	8	21	HT 4 - 4
	5.2	3.1	4.8	10	5	6	8	21	HT 4 - 5
	6.5	3.1	4.8	10	5	6	8	21	HT 4 - 6
	8.4	3.1	4.8	12	6	9	8	26	HT 4 - 8
6	5.2	3.8	5.5	10	5	6	10	24	HT 6 - 5
	6.5	3.8	5.5	10	5	6	10	24	HT 6 - 6
	8.4	3.8	5.5	12	6	9	10	28	HT 6 - 8
	10.5	3.8	6.0	15	8	11	10	32	HT 6 - 10
10	6.5	4.5	6.2	11	6	7	10	26	HT 10 - 6
	8.4	4.5	6.2	12	6	9	10	28	HT 10 - 8
	10.5	4.5	6.8	15	8	11	11	33	HT 10 - 10
16	6.5	5.4	7.1	12	7	7	12	30	HT 16 - 6
	8.4	5.4	7.1	12	7	7	12	30	HT 16 - 8
	10.5	5.4	7.6	15	8	12	12	36	HT 16 - 10
	13	5.4	7.6	17	11	13	12	39	HT 16 - 12
20	8.4	6	7.7	12	7	7	12	32	HT 20 - 8
25	6.5	6.8	8.8	13	7	7	12	30	HT 25 - 6
	8.4	6.8	8.8	13	7	7	12	30	HT 25 - 8
	10.5	6.8	8.8	15	10	11	13	38	HT 25 - 10
	13	6.8	9.2	17	10	12	15	41	HT 25 - 12
35	6.5	8.2	10.6	16	9	9	13.5	37	HT 35 - 6
	8.4	8.2	10.6	16	9	9	13.5	37	HT 35 - 8
	10.5	8.2	10.6	16	9	9	13.5	37	HT 35 - 10
	13	8.2	10.6	18	10	12	13.5	41	HT 35 - 12
	17	8.2	10.6	22	14	18	13.5	50	HT 35 - 16
50	8.4	9.5	12.4	18	9	10	17	42	HT 50 - 8
	10.5	9.5	12.4	18	9	10	17	42	HT 50 - 10
	13	9.5	12.4	20	10	12	17	45	HT 50 - 12
	17	9.5	12.4	22	15	15	18	54	HT 50 - 16
70	8.4	11.3	14.6	21	11	11	18.5	47	HT 70 - 8
	10.5	11.3	14.6	21	11	11	18.5	47	HT 70 - 10
	13	11.3	14.6	21	11	11	18.5	47	HT 70 - 12
	14.5	11.3	14.6	22	14	15	18.5	55	HT 70 - 14
	17	11.3	14.6	26	14	16	18.5	56	HT 70 - 16
95	10.5	13.5	17.4	25	12	13	21	53	HT 95 - 10
	13	13.5	17.4	25	12	13	21	53	HT 95 - 12
	14.5	13.5	17.4	25	14	15	22	55	HT 95 - 14
	17	13.5	17.4	25	14	16	22	56	HT 95 - 16



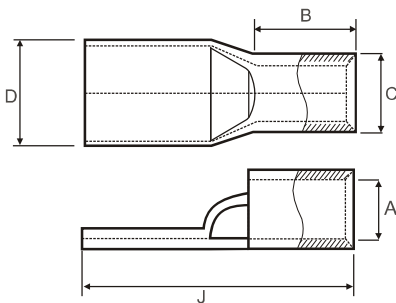
Note : All dimensions in mm

CRIMPING TYPE COPPER TUBULAR CABLE TERMINAL ENDS

MATERIAL : E - COPPER • FINISH : ELECTRO TINNED



Cable Size 800 / 1000



Cable mm ²	Stud Hole E	Dimensions							Product Code
		A	C	D	G	H	B	J	
120	13	15	19.4	28	13	14	23	60	HT 120 - 12
	14.5	15	19.4	28	13	14	23	60	HT 120 - 14
	17	15	19.4	28	16	16	23	64	HT 120 - 16
150	13	16.5	21.2	30	16	16	27	70	HT 150 - 12
	14.5	16.5	21.2	30	16	16	27	70	HT 150 - 14
	17	16.5	21.2	30	16	16	27	70	HT 150 - 16
	21	16.5	21.2	30	19	16	27	73	HT 150 - 20
185	13	18.5	23.5	34	17	19	32	80	HT 185 - 12
	14.5	18.5	23.5	34	17	19	32	80	HT 185 - 14
	17	18.5	23.5	34	17	19	32	80	HT 185 - 16
	21	18.5	23.5	34	17	19	32	80	HT 185 - 20
240	13	21	26.5	38	20	20	37	94	HT 240 - 12
	17	21	26.5	38	20	20	37	94	HT 240 - 14
	17	21	26.5	38	20	20	37	94	HT 240 - 16
	21	21	26.5	38	20	20	37	94	HT 240 - 20
	-	21	26.5	38	-	-	37	94	HT 240 - BL
300	13	23.5	30	43	22	22	42	101	HT 300 - 12
	14.5	23.5	30	43	22	22	42	101	HT 300 - 14
	17	23.5	30	43	22	22	42	101	HT 300 - 16
	21	23.5	30	43	22	22	42	101	HT 300 - 20
	-	23.5	30	43	-	-	42	103	HT 300 - BL
400	13	28.5	36.5	52.5	26	26	44	114	HT 400 - 12
	14.5	28.5	36.5	52.5	26	26	44	114	HT 400 - 14
	17	28.5	36.5	52.5	26	26	44	114	HT 400 - 16
	21	28.5	36.5	52.5	26	26	44	114	HT 400 - 20
	-	28.5	36.5	52.5	-	-	44	114	HT 400 - BL
500	17	30	39	56	28	28	48	129	HT 500 - 16
	21	30	39	56	28	28	48	129	HT 500 - 20
	-	30	39	56	-	-	48	129	HT 500 - BL
630	17	35	45	63.8	33	33	58	148	HT 630 - 16
	21	35	45	63.8	33	33	58	148	HT 630 - 20
	-	35	45	63.8	-	-	58	148	HT 630 - BL
*630	16	35	41.5	61	25	25	70	144	HLT 630 - 16
*630	20	35	41.5	61	25	25	70	144	HLT 630 - 20
800	-	39	50.6	72	-	-	78	170	HT 800 - BL
1000	-	43	56.2	78.5	-	-	90	200	HT 1000-BL

*630 : For Low Voltage Application

Note : All dimensions in mm